

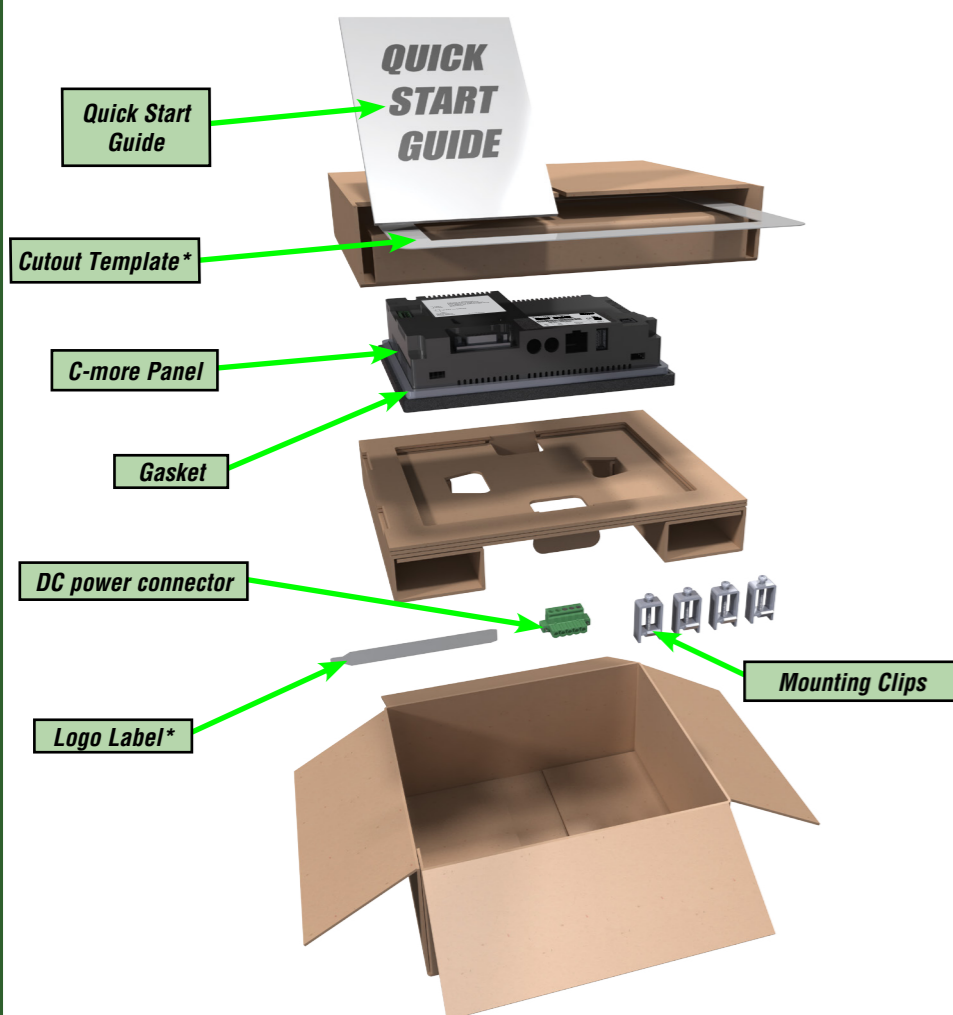
Quick Start Guide

C-more EA9 Series Touch Panels



1 Unpack and Inspect

Inspect all equipment for completeness. If anything is missing or damaged, immediately call the AutomationDirect® returns department @ 1-800-633-0405.



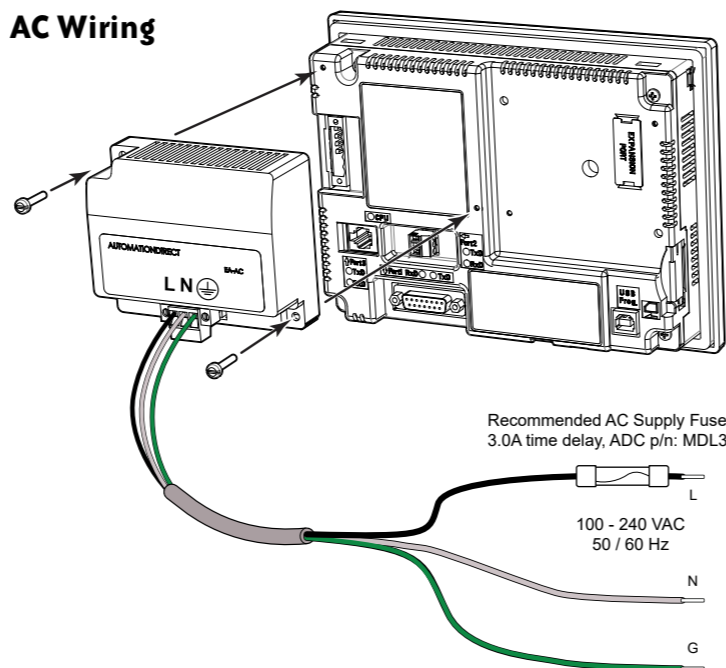
*Not included with EA9-T7CL-R and EA9-T7CL.

2 Provide Power to C-more Panel

Wire a **dedicated 12-24 VDC** power source to the DC connector on the rear of the **C-more** touch panel, include wiring the ground terminal to a proper equipment ground. The recommended power supply is AutomationDirect p/n: PSC24-060

- **or** install a **C-more** AC/DC Power Adapter, p/n EA-AC, to the rear of the touch panel and wire an AC voltage source of 100-240 VAC, 50/60 Hz, to its AC connector
- **then** turn on the power source and check the LED status indicators on the front and rear of the **C-more** touch panel for proper indication

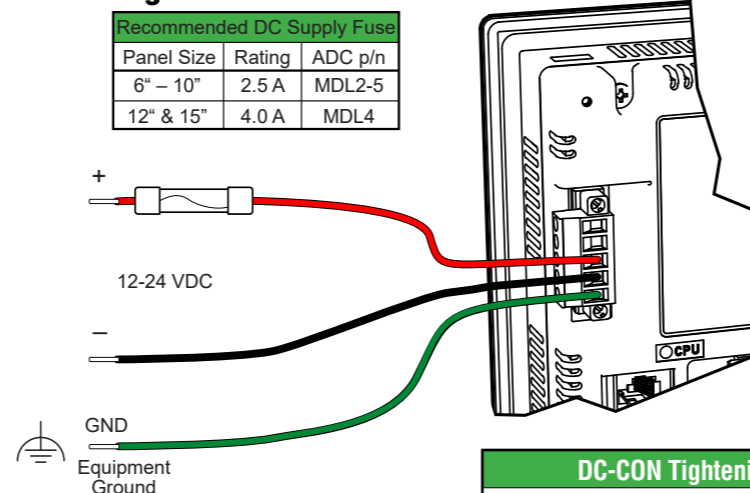
AC Wiring



EA-AC Tightening Torque		CPU Status LED (Green, Orange & Red)	
Power supply cable torque	71 - 85 oz-in (0.5 - 0.6 Nm)	Off	Power Off
Power connector mounting torque	71 - 85 oz-in (0.5 - 0.6 Nm)	Green	Normal - CPU Run State
Mounting flange screw torque	57 - 71 oz-in (0.4 - 0.5 Nm)	Red	Memory Error
		Blinking Red	Watchdog Timer Error
		Blinking Orange	OS Error
		Blinking Green	Power Loss Detection

Power LED (Front of Panel)		
Color	On	Off
Green	Power On	Power Error

DC Wiring



DC-CON Tightening Torque	
Power connector screw torque	70.4 oz-in (0.5 Nm)
Power connector mounting torque	56 oz-in (0.4 Nm)



Use 60 / 75°C copper conductors only, 12 - 24 AWG

Safety Information

WARNING: To minimize the risk of potential safety problems, you should follow all applicable local and national codes that regulate the installation and operation of your equipment. These codes vary from area to area and it is your responsibility to determine which codes should be followed, and to verify that the equipment, installation, and operation are in compliance with the latest revision of these codes.

Equipment damage or serious injury to personnel can result from the failure to follow all applicable codes and standards. We do not guarantee the products described in this publication are suitable for your particular application, nor do we assume any responsibility for your product design, installation, or operation.

If you have any questions concerning the installation or operation of this equipment, or if you need additional information, please call technical support at 1-800-633-0405 or 770-844-4200.

This publication is based on information available at the time it was printed. At **AutomationDirect.com**® we constantly strive to improve our products and services, so we reserve the right to make changes to the products and/or publications at any time without notice and without obligation. This publication may also discuss features that may not be available in certain revisions of the product.

ADVERTISSEMENT: Afin de réduire au minimum le risque d'éventuels problèmes de sécurité, vous devez respecter tous les codes locaux et nationaux applicables régissant l'installation et le fonctionnement de votre équipement. Ces codes diffèrent d'une région à l'autre et, habituellement, évoluent au fil du temps. Il vous incombe de déterminer les codes à respecter et de vous assurer que l'équipement, l'installation et le fonctionnement sont conformes aux exigences de la version la plus récente de ces codes.

L'omission de respecter la totalité des codes et des normes applicables peut entraîner des dommages à l'équipement ou causer de graves blessures au personnel. Nous ne garantissons pas que les produits décrits dans cette publication conviennent à votre application particulière et nous n'assumons aucune responsabilité à l'égard de la conception, de l'installation ou du fonctionnement de votre produit.

Si vous avez des questions au sujet de l'installation ou du fonctionnement de cet équipement, ou encore si vous avez besoin de renseignements supplémentaires, n'hésitez pas à nous téléphoner au 770-844-4200.

Cette publication s'appuie sur l'information qui était disponible au moment de l'impression. À la société **AutomationDirect**, nous nous efforçons constamment d'améliorer nos produits et services. C'est pourquoi nous nous réservons le droit d'apporter des modifications aux produits ou aux publications en tout temps, sans préavis ni quelque obligation que ce soit. La présente publication peut aussi porter sur des caractéristiques susceptibles de ne pas être offertes dans certaines versions révisées du produit.

If the equipment is used in a manner not specified by the manufacturer, the protection provided by the equipment may be impaired.

This document provides simplified installation instructions and specifications. For complete installation and safety information download the EA9-USER-M User Manual at www.automationdirect.com/static/manuals/index.html



Specifications

Specification	Model	EA9-T6CL-R EA9-T6CL	EA9-T7CL-R EA9-T7CL	EA9-T8CL	EA9-T10WCL	EA9-T10CL	EA9-T12CL	EA9-T15CL-R EA9-T15CL
Power Consumption		16.0 W		18.0 W	17.0 W	18.0 W	21.0 W	29.0 W
		1.30A @ 12 VDC 0.66A @ 24 VDC		1.50A @ 12 VDC 0.75A @ 24 VDC	1.42A @ 12 VDC 0.71A @ 24 VDC	1.50A @ 12 VDC 0.75A @ 24 VDC	1.75A @ 12 VDC 0.88A @ 24 VDC	2.40A @ 12 VDC 1.20A @ 24 VDC
Internal Fuse (non-replaceable)		4.0A		6.3A				
Altitude		Up to 2000m (6562 ft)						
Operating Temperature		0 to 50 °C (32 to 122 °F); Maximum surrounding air temperature rating: 50 °C (122 °F) IEC 60068-2-14 (Test Nb, Thermal Shock)						
Storage Temperature		-20 to +60 °C (-4 to +140 °F) IEC 60068-2-1 (Test Ab, Cold) IEC 60068-2-2 (Test Bb, Dry Heat) IEC 60068-2-14 (Test Na, Thermal Shock)						
Humidity Environment		5-95% RH (non-condensing)						
Environment		For use in Pollution Degree 2 environment, no corrosive gases permitted						
Noise Immunity		(EN61131-2) EN61000-4-2 (ESD), EN61000-4-3 (RFI) EN61000-4-4 (FTB) EN61000-4-5 (Surge) EN61000-4-6 (Conducted) EN61000-4-8 (Power frequency magnetic field immunity)						
Withstand Voltage		1000 VAC, 1 min. (FG to Power supply)						
Insulation Resistance		> 10M ohm @ 500V DC (FG to Power supply)						
Vibration		IEC60068-2-6 (Test Fc)						
Shock		IEC60068-2-27 (Test Ea)						
Emission		EN55011 Class A (Radiated RF emission)						
Enclosure		NEMA 250 type 4/4X indoor use only UL50 type 4X indoor use only IP65 indoor use only (When mounted correctly)	NEMA 250 type 4/4X indoor use only UL50 type 4X indoor use only IP65 indoor use only (not tested by UL) (When mounted correctly)	NEMA 250 type 4/4X indoor use only UL50 type 4X indoor use only IP65 indoor use only (When mounted correctly)				
Agency Approvals		UL508, E157382 Class 1, Div 2, Groups A, B, C CE (EN61131-2), RoHS (2011/65/EU) CUL Canadian C22.2	UL61010, E157382 CE (EN61131-2), RoHS (2011/65/EU) CUL Canadian C22.2	UL508, E157382 CE (EN61131-2), RoHS (2011/65/EU) CUL Canadian C22.2				



NOTES: 1. The display screen should be cleaned periodically by wiping it with a lint free damp cloth using a mild soap solution. Use a dry or slightly dampened cloth to wipe any dirt from the labels on the back of the panel. Dry all surfaces with a lint free cloth. Do not clean with ammonia based products which are solvents and will damage the face of the panel and the labels.
2. The touchscreen is designed to respond to a single touch. If it is touched at multiple points at the same time, an unexpected object may be activated.

UL Satisfaction Ratings

Model Number	Input Ratings
EA9-T6CL-R	12 - 24 VDC, Class 2, SELV or LEC, Maximum 16.0W
EA9-T6CL	
EA9-T7CL-R	
EA9-T7CL	
EA9-T8CL	12 - 24 VDC, Class 2, SELV or LEC, Maximum 18.0W
EA9-T10WCL	12 - 24 VDC, Class 2, SELV or LEC, Maximum 17.0W
EA9-T10CL	12 - 24 VDC, Class 2, SELV or LEC, Maximum 18.0W
EA9-T12CL	12 - 24 VDC, Class 2, SELV or LEC, Maximum 21.0W
EA9-T15CL-R	12 - 24 VDC, Class 2, SELV or LEC, Maximum 29.0W
EA9-T15CL	

Terminal connecting wire size 12 - 24 AWG
Connecting torque 71 - 85 oz-in (5 - 7 lb-in) (0.5 - 0.6 Nm)
Maximum surrounding air temperature rating, 50°C
For use in Pollution Degree 2 environment
All interface ports are intended to be directly connected to an isolated secondary circuit
For use on a flat surface of a type 4X Indoor Use Only enclosure

Hazardous Location Installation Requirements Class 1, Div 2, Groups A, B, C

Models EA9-T6CL-R and EA9-T6CL Only

Hazardous Location Installation Requirements

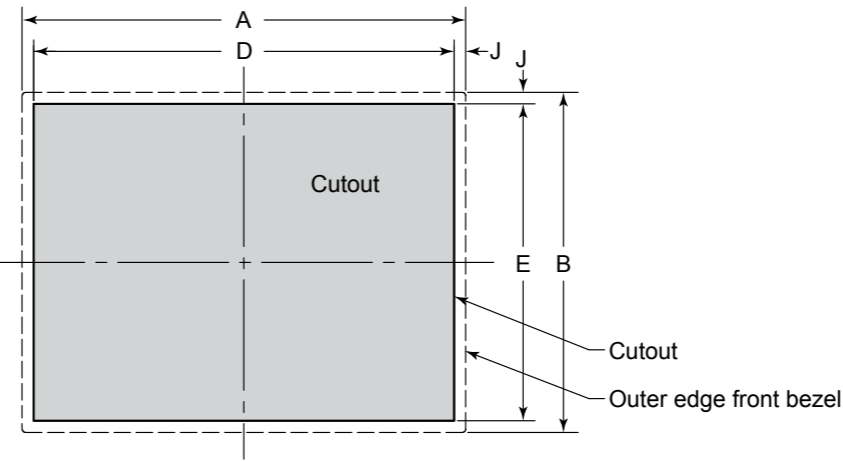
SUITABLE FOR USE IN CLASS I, DIVISION 2, GROUPS A, B, C AND D HAZARDOUS LOCATIONS, OR NONHAZARDOUS LOCATIONS ONLY.

WARNING - EXPLOSION HAZARD - DO NOT DISCONNECT EQUIPMENT UNLESS POWER HAS BEEN SWITCHED OFF OR THE AREA IS KNOWN TO BE NON-HAZARDOUS.

WARNING - EXPLOSION HAZARD - SUBSTITUTION OF ANY COMPONENTS MAY IMPAIR SUITABILITY FOR CLASS I, DIVISION 2.

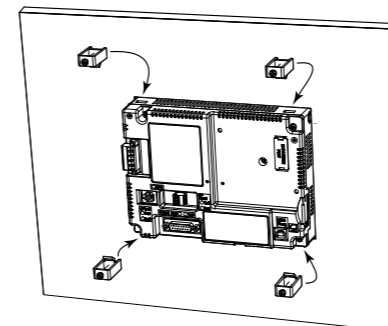
DEVICES SHALL BE INSTALLED INTO AN ENCLOSURE THAT UTILIZES A TOOL REMOVABLE DOOR/COVER.

C-more Panel Mounting

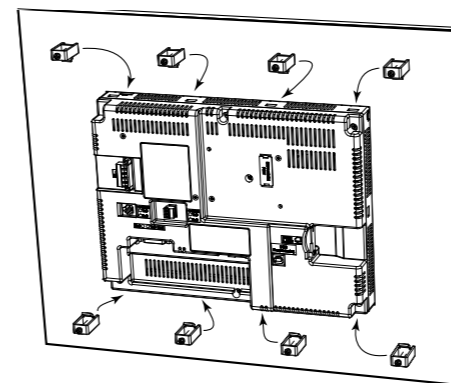


Cutout Dimensions - inches [mm]					
Model Number	A	B	D	E	J
EA9-T6CL-R	8.08 [205.2]	6.13 [155.8]	7.46 [189.5]	5.51 [140.0]	0.31 [7.9]
EA9-T6CL					
EA9-T7CL-R					
EA9-T7CL	9.87 [250.7]	7.69 [195.4]	9.25 [235.0]	7.07 [179.6]	0.31 [7.9]
EA9-T8CL					
EA9-T10WCL	12.52 [318.0]	9.53 [242.1]	11.90 [302.3]	8.91 [226.3]	0.31 [7.9]
EA9-T10CL	13.37 [339.6]	11.02 [280.0]	12.57 [319.3]	10.22 [259.6]	0.40 [10.2]
EA9-T12CL	15.75 [400.0]	12.09 [307.2]	14.93 [379.2]	11.27 [286.3]	0.41 [10.4]

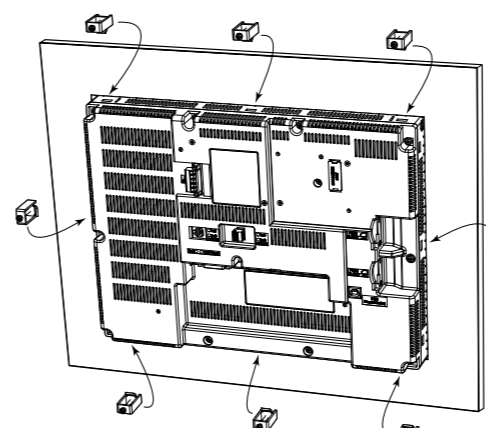
Mounting Bracket Locations



EA9-T6CL, EA9-T6CL-R, EA9-T7CL, EA9-T7CL-R, EA9-T8CL and EA9-T10WCL (4 places)



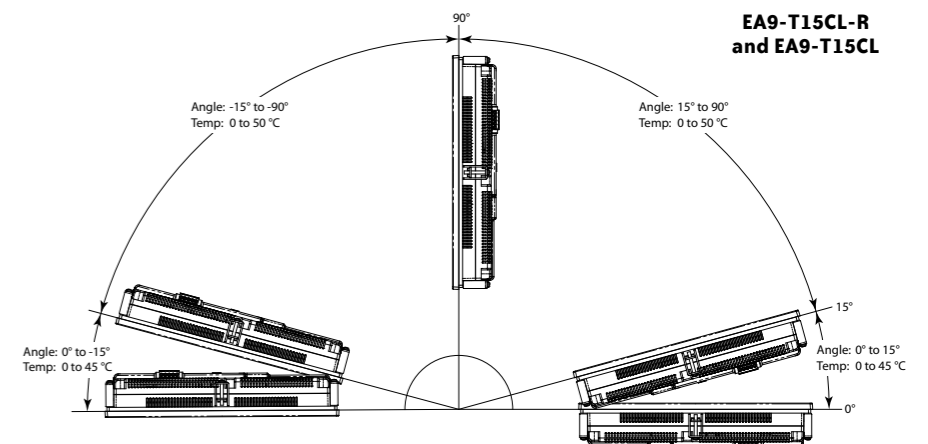
EA9-T10CL (8 places)



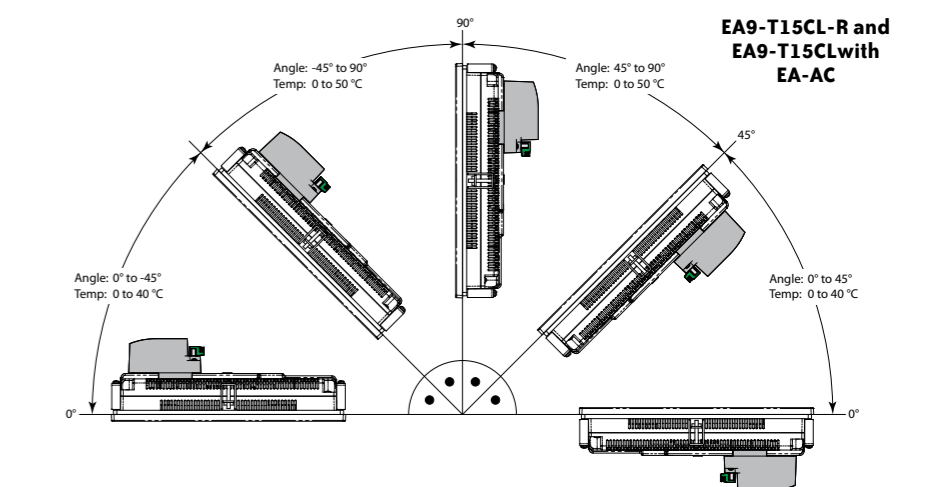
EA9-T12CL, EA9-T15CL and EA9-T15CL-R (8 places)

Additional Installation Information

- **Clearance** – The mounting clearances when installing the touch panel in an enclosure or cabinet shall be minimum of 4 inches from the top, bottom and sides and 1.72 inches from the rear.
- **Derating** – If EA9-T15CL is mounted off the vertical plane facing upward, the temperature shall be derated as shown below. Other panels may be mounted at any angle without derating consideration.



EA9-T15CL-R and EA9-T15CL



EA9-T15CL-R and EA9-T15CL with EA-AC

Touch Panel Size	Enclosure Thickness Range	Mounting Clip Screw Torque	Material
6", 7", 8", 10" and 12"	0.039 - 0.20 inch [1 - 5 mm]	63 - 77 oz-in [0.45 - 0.55 Nm]	Metal
10"W, 15"		92 - 106 oz-in [0.65 - 0.75 Nm]	